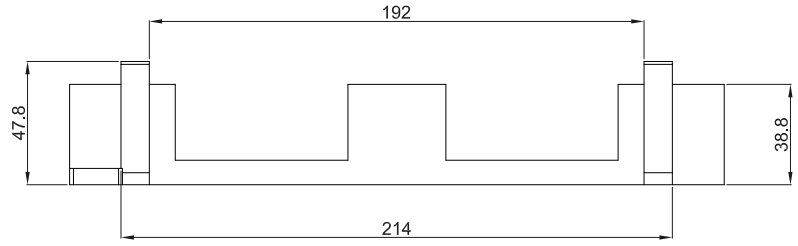


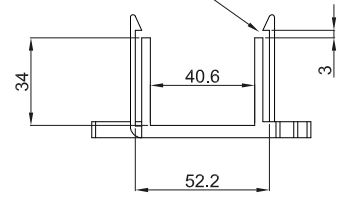
ROHS Compliant

DATE	2012/07/20
Revision	A

A

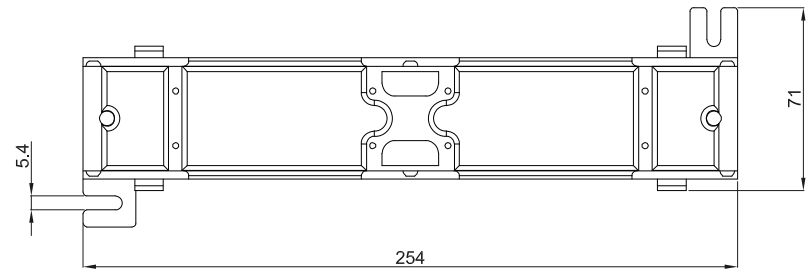


可作2種卡點
1.6或3.0 mm 鐵板厚度



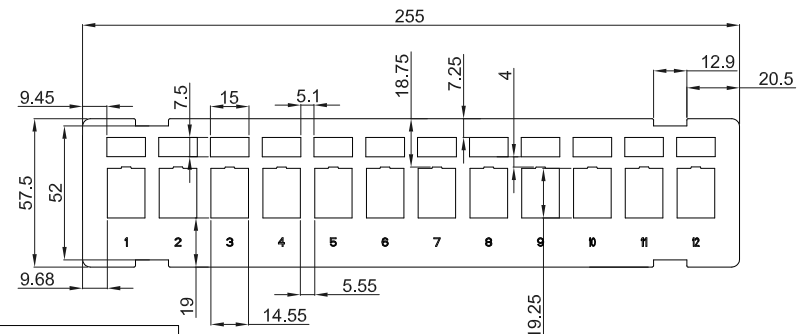
A

B

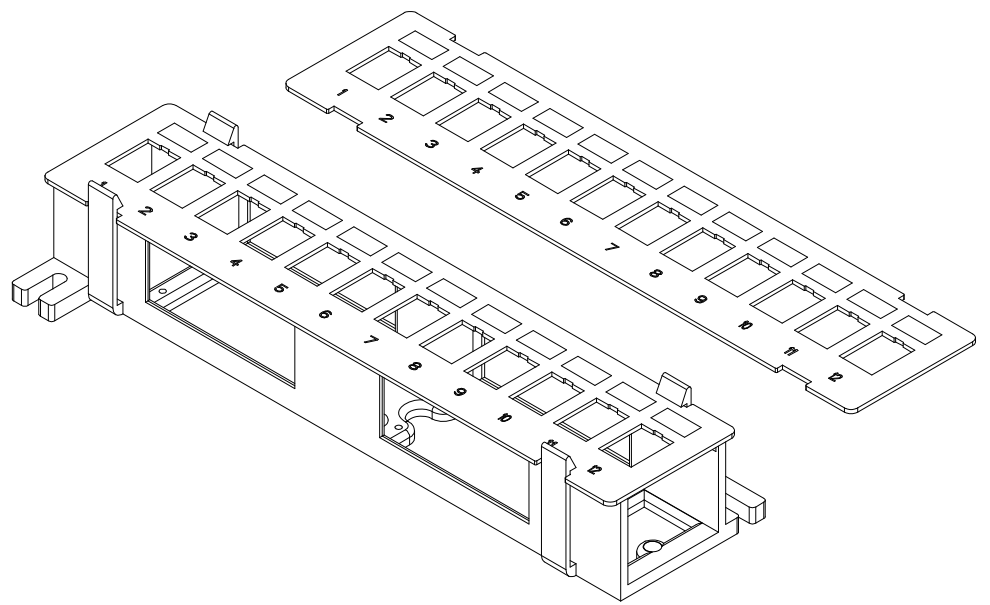


B

C



C



D

TOLERANCE	
.XXXX	---
.XXX	0.10
.XX	0.25
.X	0.38

D

E

MATERIAL			
CATEGORY	<input type="checkbox"/> CAT.5E <input type="checkbox"/> CAT.6 <input type="checkbox"/> CAT.3 <input type="checkbox"/> OTHER _____		
FRAME	MATEL SPCC (Painting)		
REV.	DESCRIPTION	ENG.	APPROVAL

P/NO. NPPF-12-A

ITEM. Patch Panel	CO. SY	S/N. NPPF-12-A
DR. Wakka 2012/7/20	APPD.	CHKD.

<p>NEX1 Technologies Co., Ltd TEL: (02) 2518-1300 FAX: (02) 2501-4209</p>	FILE. NPPF-12-A
	SCALE /
	UNIT mm SIZE A4