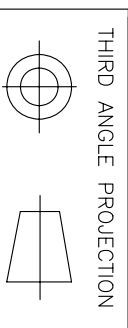
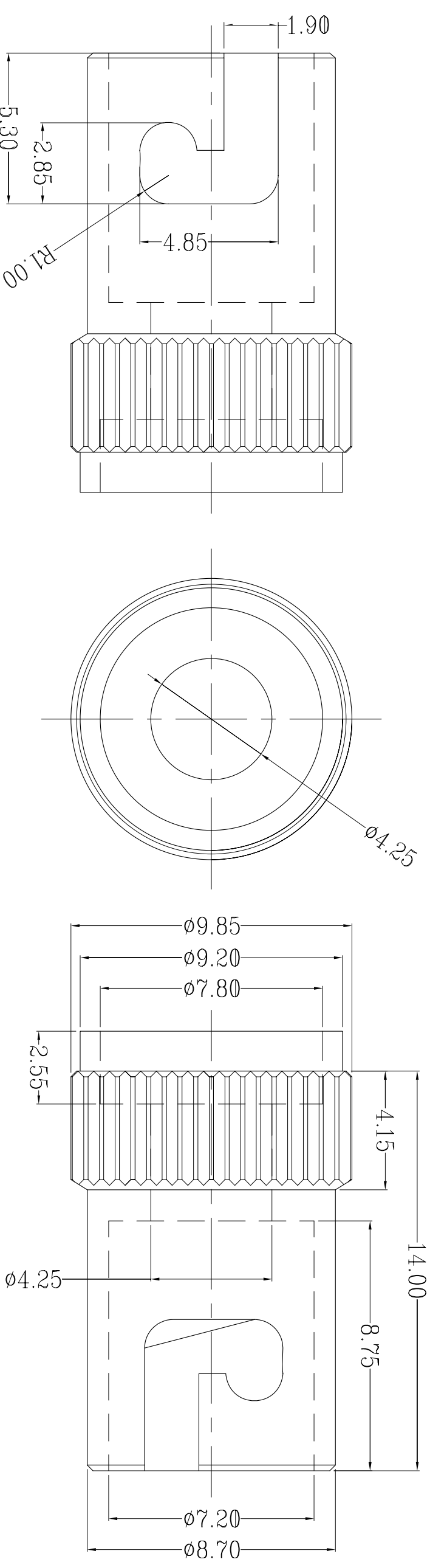


ZONE	REV.	DESCRIPTION	DATE	APPROVED
		ENGINEERING APPROVAL	08.03.30	



THIRD ANGLE PROJECTION

DRAWN	TITLE:	ST-
CHECKED	PART NO.:	
APPROVED	DWG NO.:	
MATE	SCALE	1:1
	REV	A
	SHEET	

1 2 3 4 5

A B C D E F G