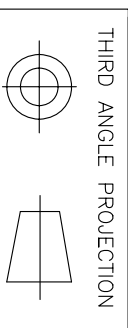
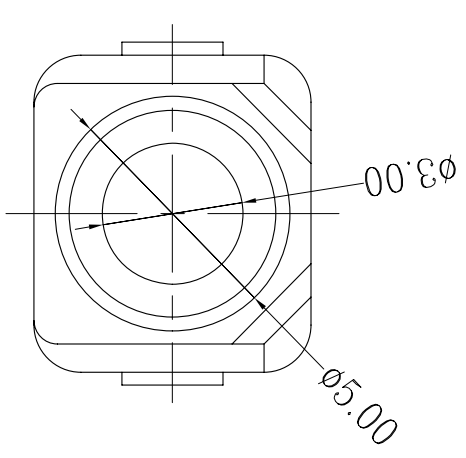
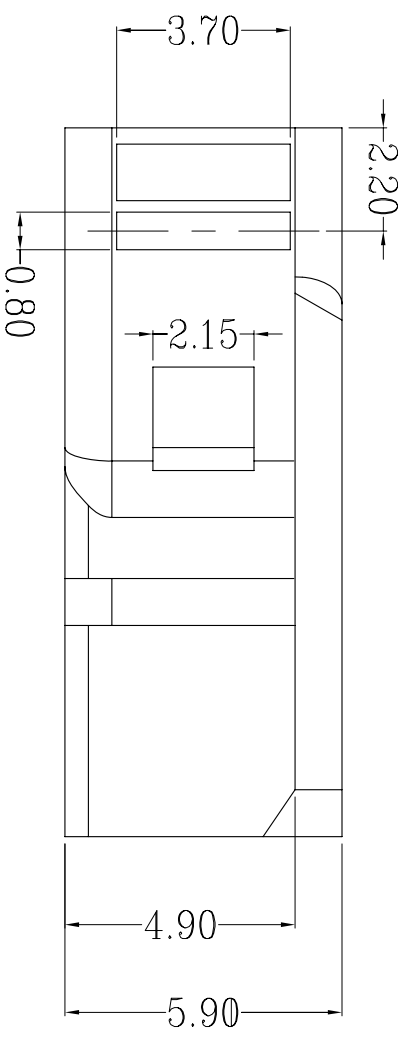
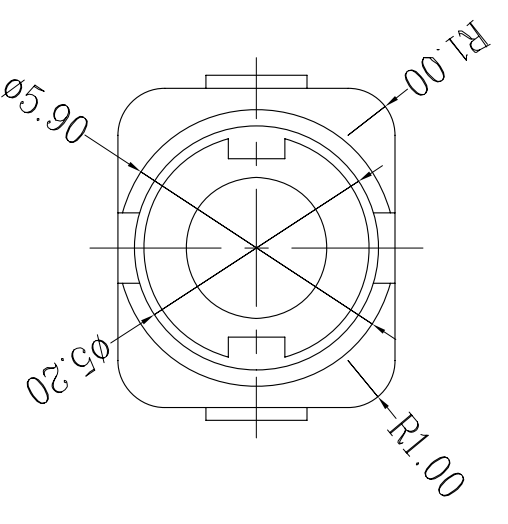
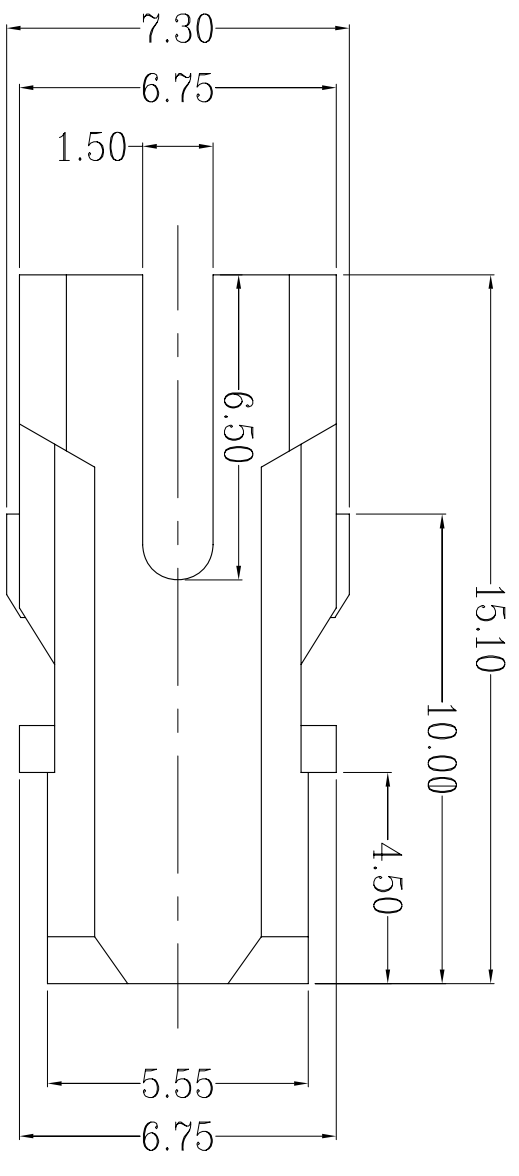


ZONE	REV.	DESCRIPTION	DATE	APPROVED
		ENGINEERING APPROVAL	07.04.20	



DRAWN		TITLE:	
		SC-内芯	
CHECKED		PART NO:	
APPROVED		DWG NO:	
MATE	SCALE	REV	SHEET
	1:1	A	

1 2 3 4 5

A B C D E F G