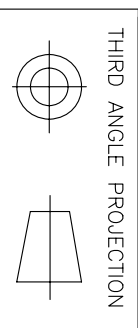
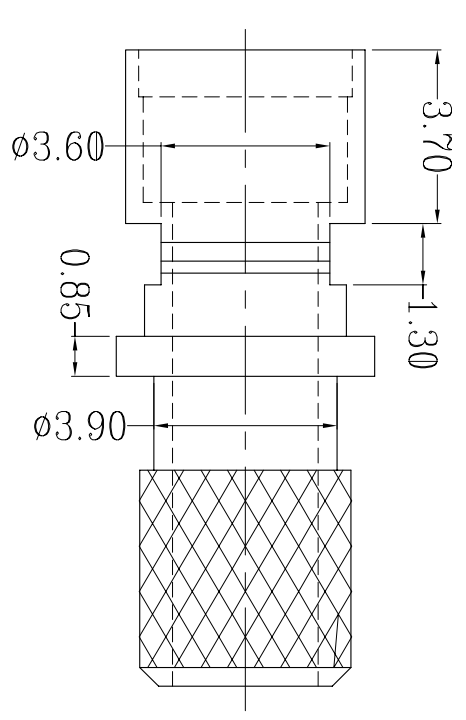
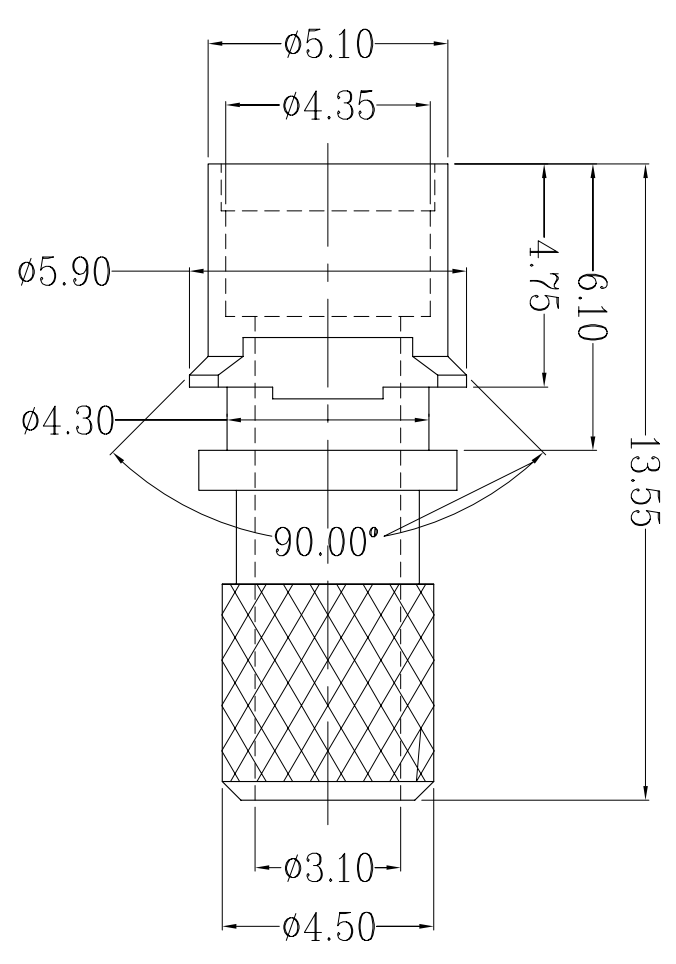
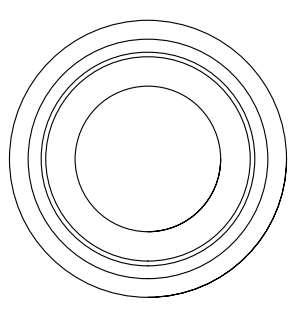


ZONE	REV.	DESCRIPTION	DATE	APPROVED
		ENGINEERING APPROVAL	07.04.20	



THIRD ANGLE PROJECTION

DRAWN		TITLE:		SC-五金件	
CHECKED		PART NO.:			
APPROVED		DWG NO.:			
MATE	SCALE	1:1	REV	A	SHEET

A

B

C

D

E

F

G

1

2

3

4

5