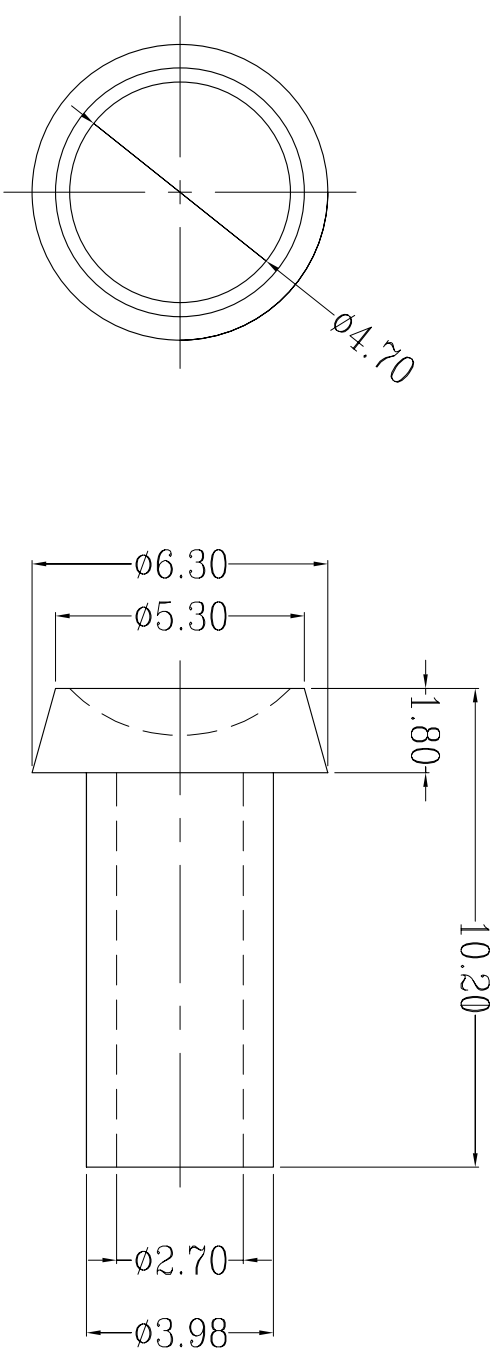


THESE DRAWINGS AND SPECIFICATIONS ARE THE SOLE PROPERTY OF J.L.C. ELECTRONICS CO.LTD.  
PRIOR WRITTEN CONSENT OF J.L.C. ELECTRONICS INC. OR ITS AFFILIATED SUBSIDIARIES.

ZONE	REV.	DESCRIPTION	DATE	APPROVED
		ENGINEERING APPROVAL	07.04.20	



DRAWN		TITLE:	SC-盖				
CHECKED		PART NO:					
APPROVED		DWG NO:					
MATE		SCALE	1:1	REV	A	SHEET	