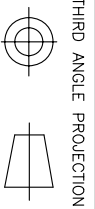
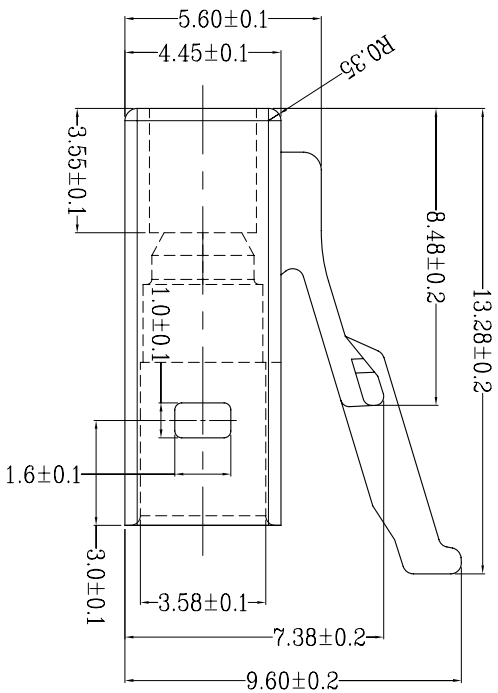
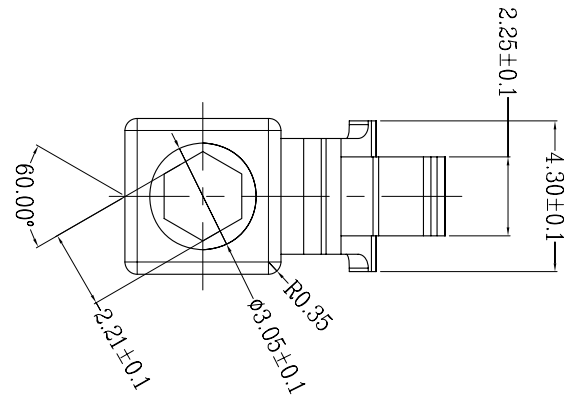
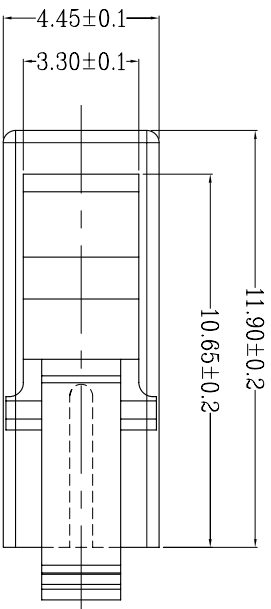


ZONE	REV.	DESCRIPTION	DATE	APPROVED
		ENGINEERING APPROVAL	07.04.20	



UNLESS OTHERWISE NOTED:
 1) DIMENSIONS ARE IN MILLIMETER
 2) TOLERANCES:

DRAWN		TITLE:	
CHECKED		PART NO.:	
APPROVED		DWG NO.:	
MATE	SCALE	REV	SHEET
	1:1	A	

5

4

3

2

1

A

B

C

D

E

F

G