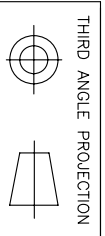
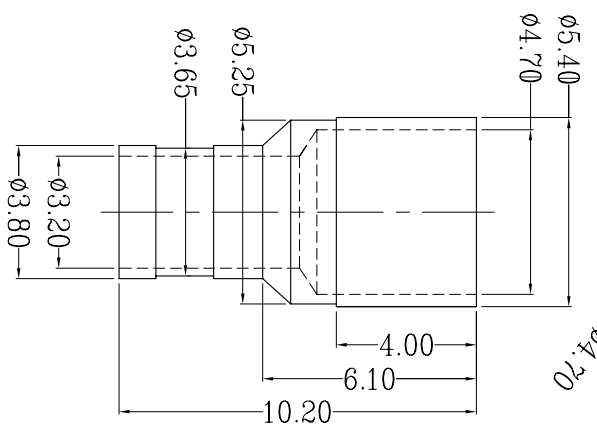
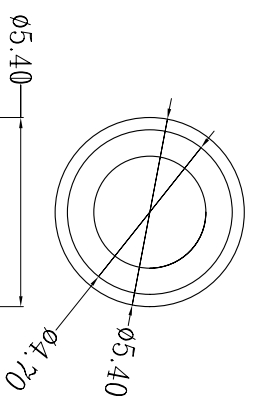
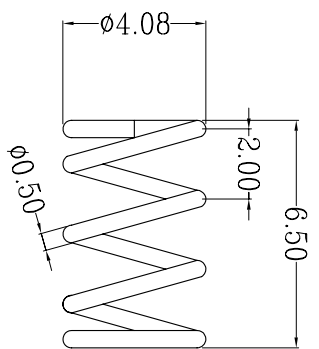
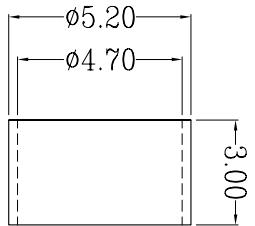


A		B		C		D		E		F		G	
ZONE	REV.	DESCRIPTION				DATE	APPROVED						
		ENGINEERING APPROVAL				07.04.20							



DRAWN		TITLE:		FG	
CHECKED		PART NO.:			
APPROVED		DWG NO.:			
MATE	SCALE	1:1	REV	A	SHEET