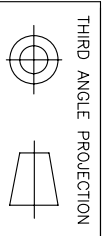
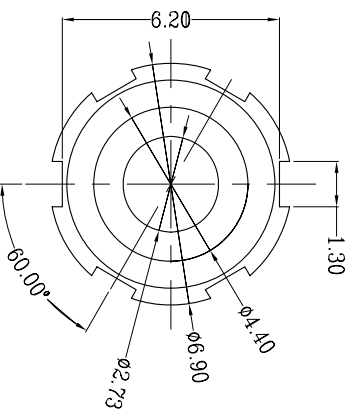
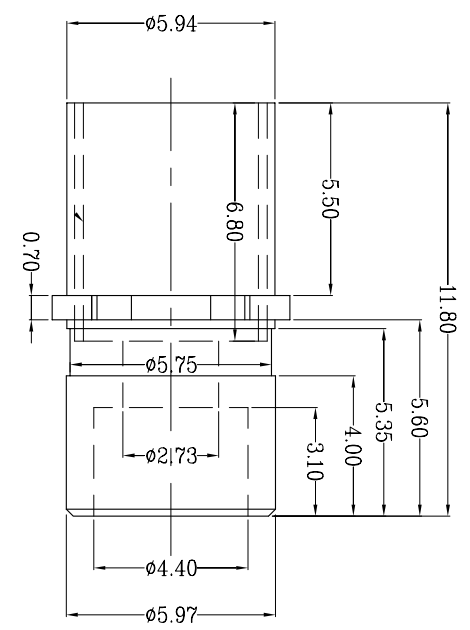


A		B		C		D		E		F		G	
ZONE	REV.	DESCRIPTION				DATE	APPROVED						
		ENGINEERING APPROVAL				08.03.30							



DRAWN		TITLE:		FC-	
CHECKED		PART NO.:			
APPROVED		DWG NO.:			
MATE	SCALE	1:1	REV	A	SHEET

5

4

3

2

1