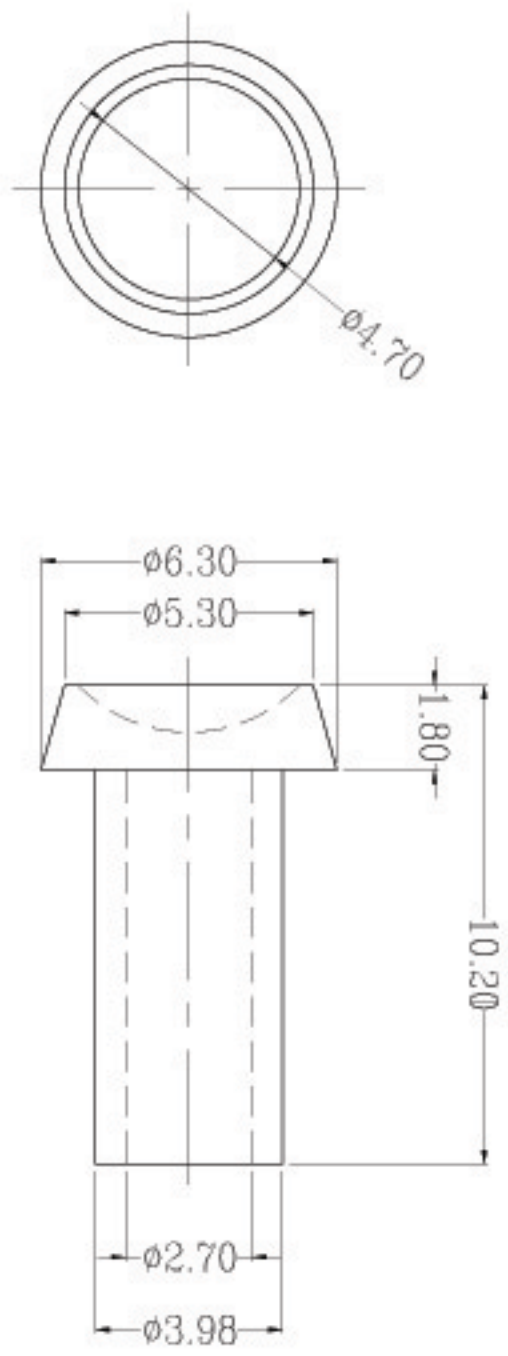


ZONE	REV.	DESCRIPTION	DATE	APPROVED
		ENGINEERING APPROVAL	07.04.20	



DRAWN	TITLE:	SC-
CHECKED	PART NO.:	
APPROVED	DWG NO.:	
MATE	SCALE	1:1
	REV	A
	SHEET	