

FC FIBER OPTIC ADAPTERS

Description

FC adapter has a metal housing and either a precision zirconia or a rugged phosphor bronze sleeve. Zirconia sleeve enables stable connection and thus enhances performance, and is ideal for single mode applications. Phosphor bronze sleeve provides durability, and is ideal for multimode applications. Square flange mount and "D" hole mount styles are available.



Features

- Low insertion loss
- Good exchangeability and repeatability
- Zirconia or phosphor bronze sleeve
- Square flange or "D" hole mount style

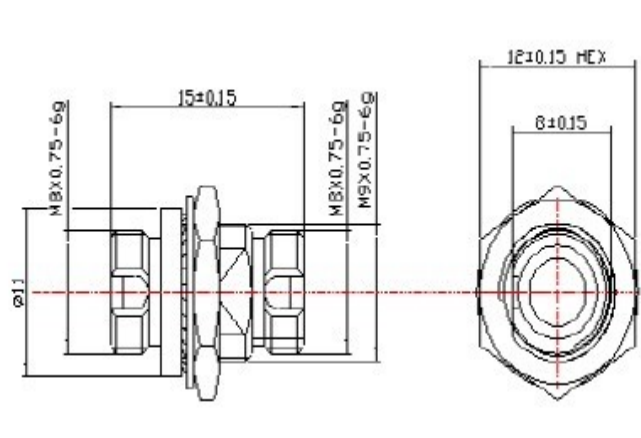
Applications

- Telecommunication
- Computer networks
- CATV networks
- Active device termination
- Instrumentation

Specifications

Characteristics	Unit	Single Mode	Multimode
Insertion Loss (IL)	dB	≤ 0.2	
Exchangeability	dB	$\Delta IL \leq 0.2$	
Repeatability (500 remates)	dB	$\Delta IL \leq 0.2$	
Sleeve material	-	Zirconia	
Housing material	-	Nickel plated Copper	
Operating Temperature	°C	-40 ~ +70	
Storage Temperature	°C	-40 ~ +70	

Dimensional Drawing



Dimensional Drawing

