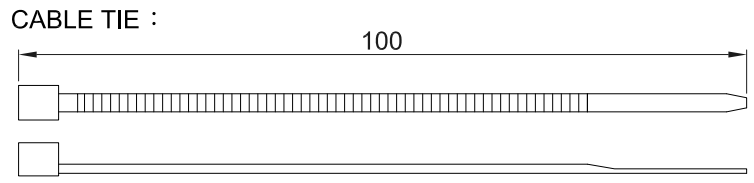
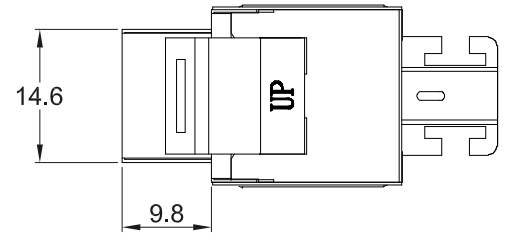
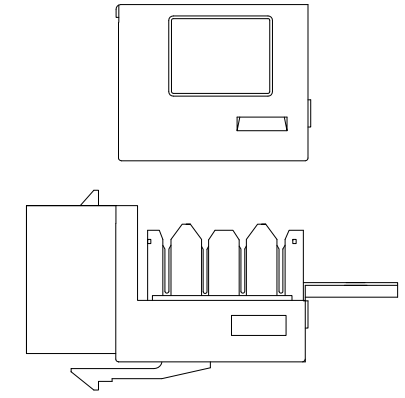
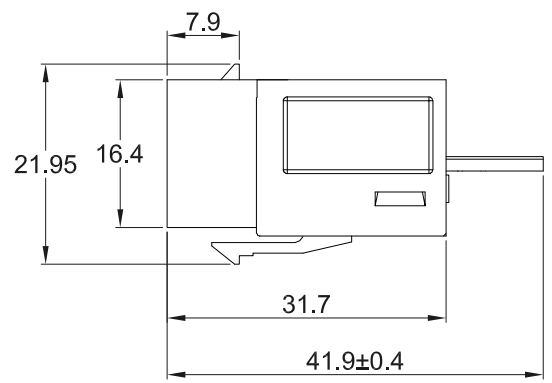
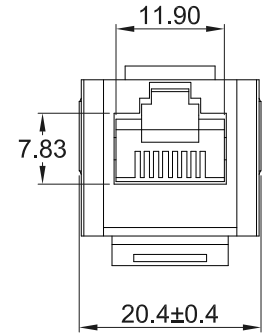


ROHS Compliant

DATE	2012/07/20
Revision	A

- Features :
- T-568A/B Dual wiring
 - RJ45 complies with FCC part 68 standard
 - 110/Krone dual IDC connector compatible
 - Provides termination for 22~26 AWG wire
 - Jack insertion life >750 mating cycles
 - IDC insertion life >250 mating cycles
 - Operating temperature : -40 °C ~ +60 °C
- Electrical :
- Contact resistance : 20m ohm
 - DC Current rating : 1.5Amps
 - DC resistance : Max.0.1 ohm
 - Insulation Resistance : 500m ohm
 - Dielectric withstanding voltage : 1000V



TOLERANCE	
.XXXX	----
.XXX	0.10
.XX	0.25
.X	0.38

MATERIAL	
CATEGORY	<input checked="" type="checkbox"/> CAT.5E <input type="checkbox"/> CAT.6 <input type="checkbox"/> CAT.3 <input type="checkbox"/> OTHER _____
HOUSING	ABS UL94V-0
CONTACT	0.46 mm DIAMETER PHOSPHOR BRONZE GOLD PLATED OVER NICKEL
GOLD-PLATING	<input type="checkbox"/> 0.0762um/3u inch <input type="checkbox"/> 0.15um/6u inch <input type="checkbox"/> 0.38um/15u inch <input type="checkbox"/> 0.76um/30u inch <input checked="" type="checkbox"/> 1.27um/50u inch
COLOR	<input type="checkbox"/> WHITE <input type="checkbox"/> BLACK <input type="checkbox"/> GREEN <input type="checkbox"/> BLUE <input type="checkbox"/> YELLOW <input type="checkbox"/> RED <input type="checkbox"/> ORANGE <input type="checkbox"/> IVORY <input type="checkbox"/> OTHER _____
TYPE OF PRODUCT	<input type="checkbox"/> UNSHIELD <input checked="" type="checkbox"/> SHIELD : 0.25mm THICKNESS COPPER ALLOY WITH NICKLE PLATED.

P/NO. NKSJ-FTP-C5e

ITEM. Keystone Jack	CO. SY	S/N. NKSJ-FTP-C5e
DR. Wakka 2012/07/20	APPD.	CHKD.

NEX1 NEX1 Technologies Co., Ltd
 TEL: (02) 2518-1300
 FAX: (02) 2501-4209

FILE. NKSJ-FTP-C5e
SCALE /
UNIT mm SIZE A4

REV.	DESCRIPTION	ENG.	APPROVAL
1	2	3	4