

1 ROHS Compliant

7 DATE	2012/07/23
Revision	A

A

B

C

D

E

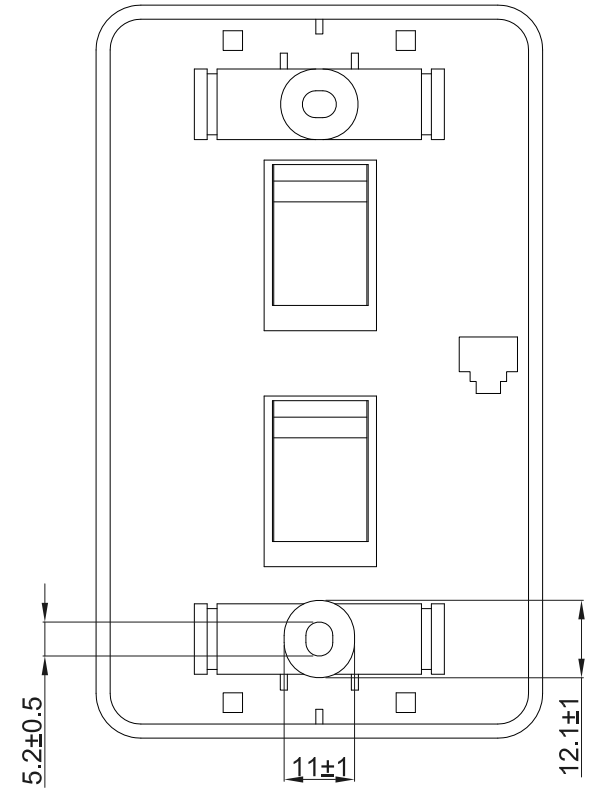
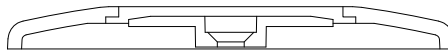
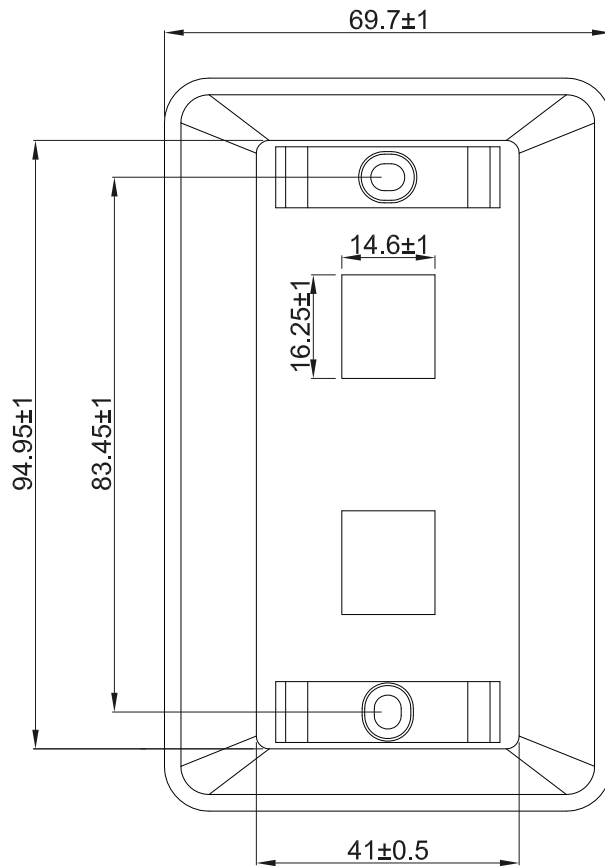
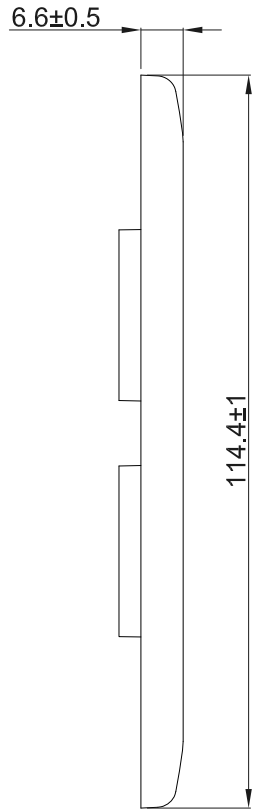
A

B

C

D

E



TOLERANCE	
.XXXX	----
.XXX	0.10
.XX	0.25
.X	0.38

MATERIAL			
HOUSING	ABS UL-94V-0	COLOR	<input type="checkbox"/> WHITE <input type="checkbox"/> IVORY
ENCLOSURE	<input type="checkbox"/> SCREW (3.5x20mm) x 2	<input type="checkbox"/> SCREW (3.5x25mm) x 2	<input type="checkbox"/> SCREW (6x25mm) x 2
	9000352000	90035025TP2	7000602500
	<input type="checkbox"/> CLEAR COVER x2, WHITE PAPER(9.5x37mm) x2 <input type="checkbox"/> WHITE COVER <input type="checkbox"/> IVORY COVER		
REV.	DESCRIPTION	ENG.	APPROVAL

P/NO. NWP-2	
ITEM. Wall Plate	CO. SY
DR. Wakka 2012/07/23	S/N. NWP-2
APPD. CHKD.	
FILE. NWP-2	
NEX1 Technologies Co., Ltd TEL: (02) 2518-1300 FAX: (02) 2501-4209	SCALE /
	UNIT mm SIZE A4

1

2

3

4

5

6

7