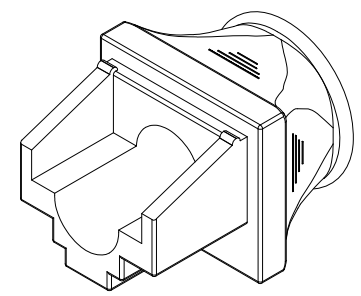
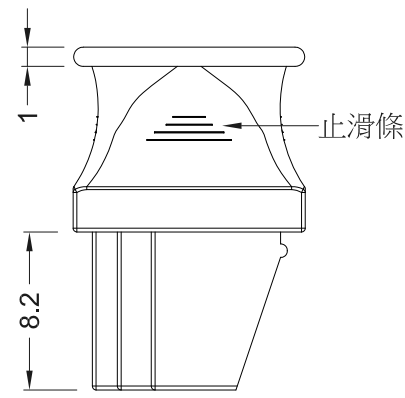
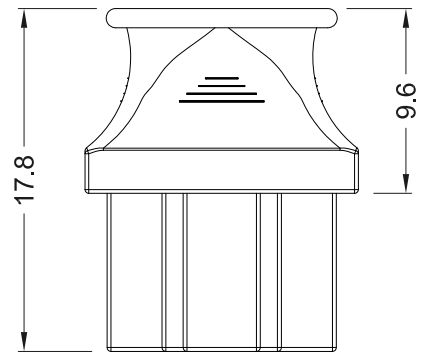
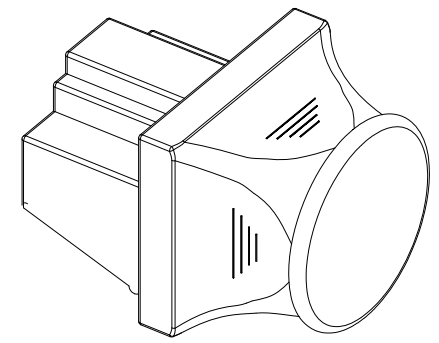
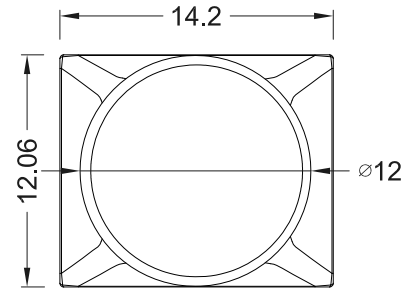
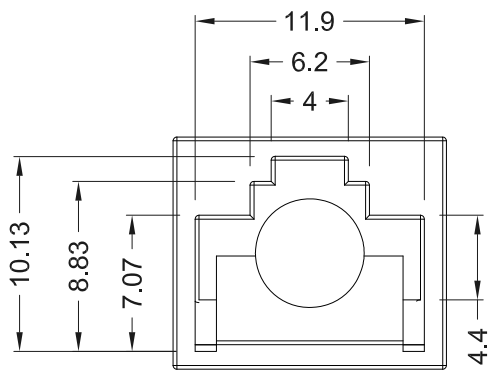


1 ROHS Compliant

7	DATE	2012/07/20
	Revision	A



TOLERANCE	
.XXXX	----
.XXX	0.10
.XX	0.25
.X	0.38

MATERIAL	
HOUSING	Fire-resistance PVC

P/NO. NCCB-SP		
ITEM. Boot	CO. SY	S/N. NCCB-SP
DR. Wakka 2012/07/20	APPD.	CHKD.
NEX1 Technologies Co., Ltd TEL: (02) 2518-1300 FAX: (02) 2501-4209		FILE. NCCB-SP
		SCALE /
		UNIT mm SIZE A4

REV.	DESCRIPTION	ENG.	APPROVAL
1	2	3	4

A
B
C
D
E

A
B
C
D
E

1 2 3 4 5 6 7