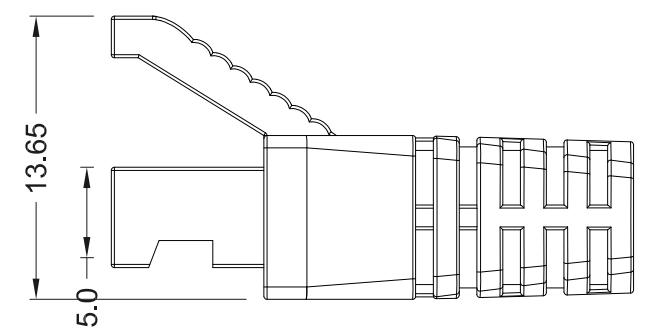
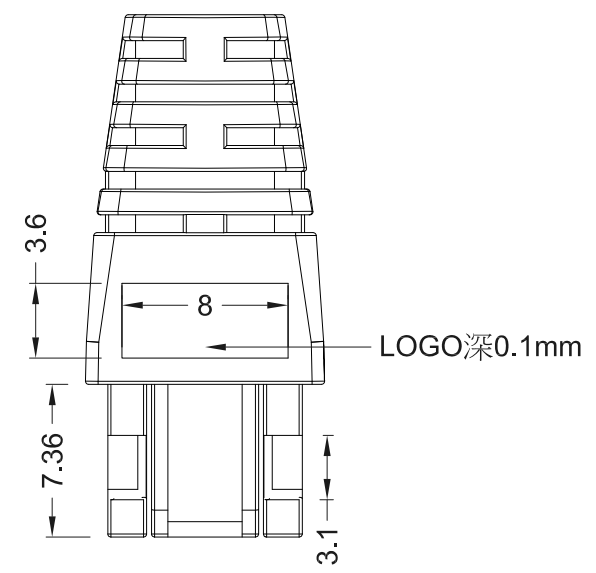
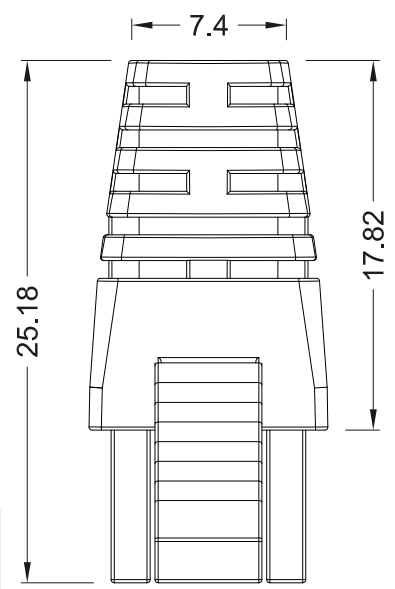
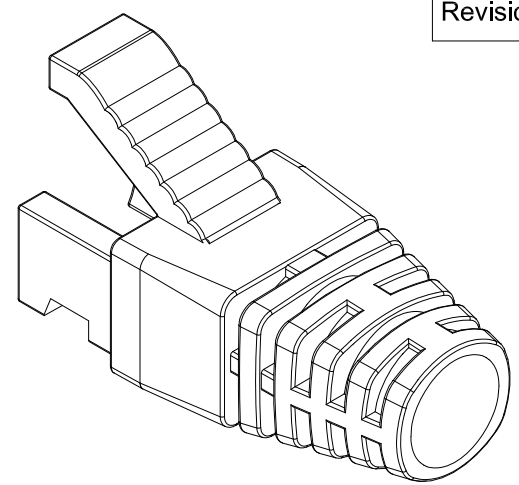
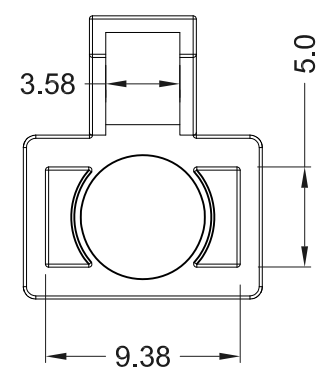
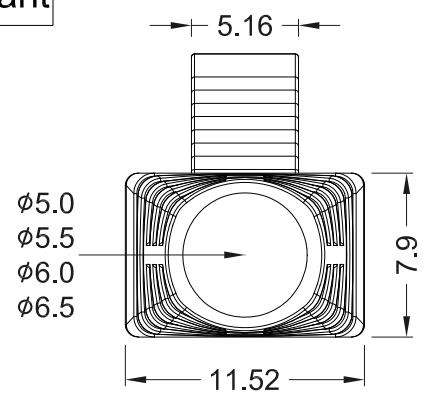


1 ROHS Compliant

7 DATE	2012/07/20
Revision	A




TOLERANCE	
.XXXX	---
.XXX	0.10
.XX	0.25
.X	0.38

MATERIAL

HOUSING	Fire-resistance PVC
CONTACT	PHOSPHOR BRONZE FINE GOLD PLATED OVER NICKEL
COLOR	<input type="checkbox"/> WHITE <input type="checkbox"/> BLACK <input type="checkbox"/> GREEN <input type="checkbox"/> BLUE <input type="checkbox"/> YELLOW <input type="checkbox"/> RED <input type="checkbox"/> ORANGE <input checked="" type="checkbox"/> GRAY <input type="checkbox"/> OTHER _____

P/NO. NCCB-S-GY-C6

ITEM. Boot	CO. SY	S/N. NCCB-S-GY-C6
DR. Wakka 2012/07/20	APPD.	CHKD.



NEX1 Technologies Co., Ltd
TEL: (02) 2518-1300
FAX: (02) 2501-4209

FILE. NCCB-S-GY-C6

SCALE /	
UNIT mm	SIZE A4

REV.	DESCRIPTION	ENG.	APPROVAL
1	2	3	4

5 6 7