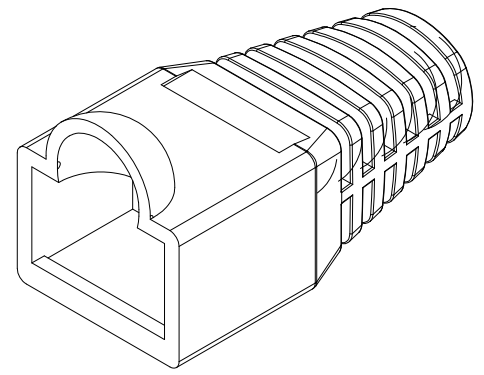
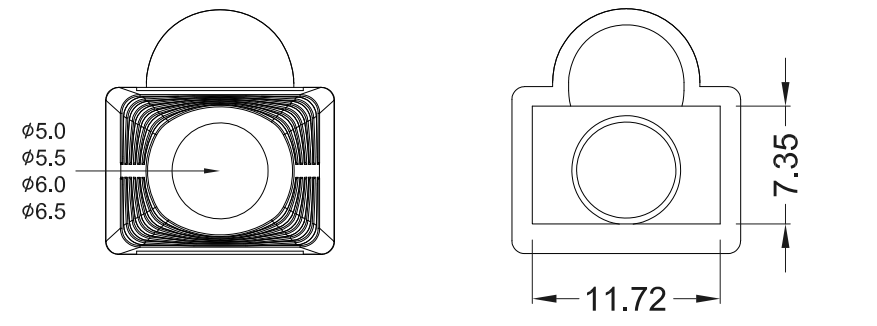


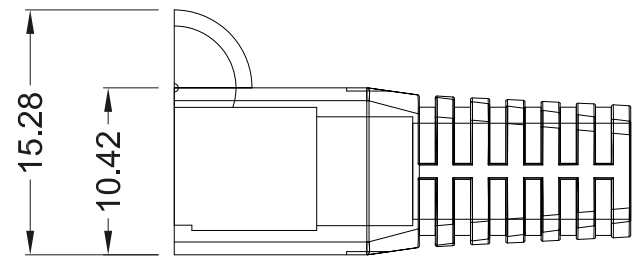
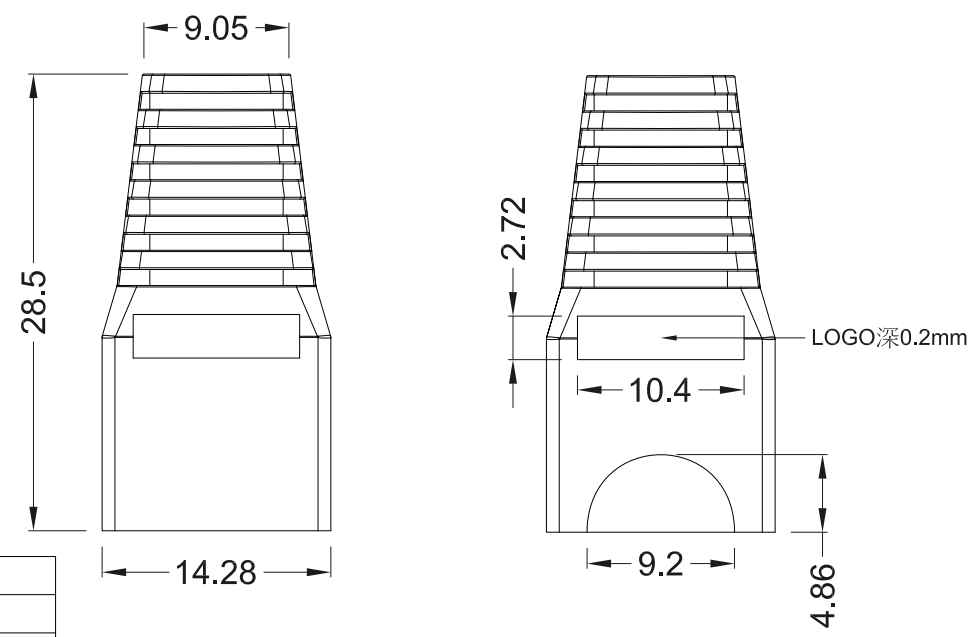
1 ROHS Compliant

7 DATE	2012/07/23
Revision	A

A



B



D

TOLERANCE	
.XXXX	----
.XXX	0.10
.XX	0.25
.X	0.38

● XX - Color

P/NO.	NCCB-R-XX		
-------	-----------	--	--

MATERIAL

HOUSING	Fire-resistance PVC
COLOR	<input type="checkbox"/> WHITE <input type="checkbox"/> BLACK <input type="checkbox"/> GREEN <input type="checkbox"/> BLUE <input type="checkbox"/> YELLOW <input type="checkbox"/> RED <input type="checkbox"/> ORANGE <input type="checkbox"/> GRAY <input type="checkbox"/> OTHER

ITEM.	Boot	CO.	SY	S/N.	NCCB-R-XX
DR.	Wakka 2012/07/23	APPD.		CHKD.	

E

REV.	DESCRIPTION	ENG.	APPROVAL
------	-------------	------	----------

**NEX1** NEX1 Technologies Co., Ltd  
 TEL: (02) 2518-1300  
 FAX: (02) 2501-4209

FILE.	NCCB-R-XX	
SCALE	/	
UNIT	mm	SIZE A4