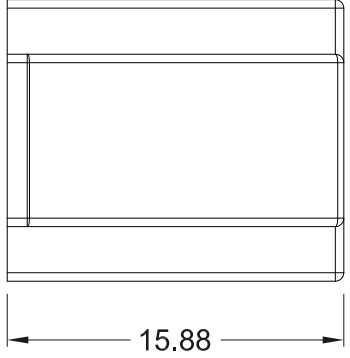
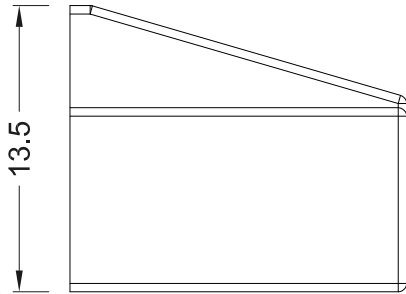
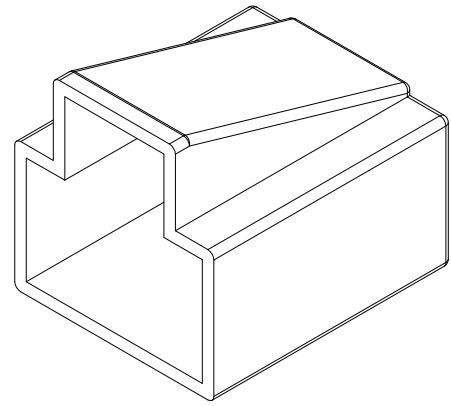
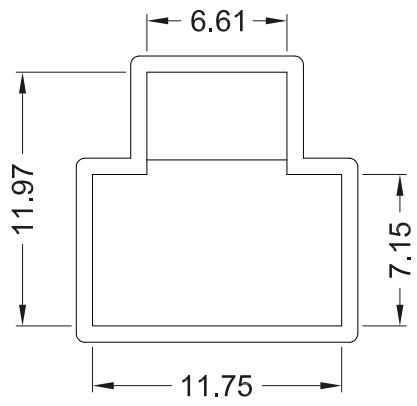
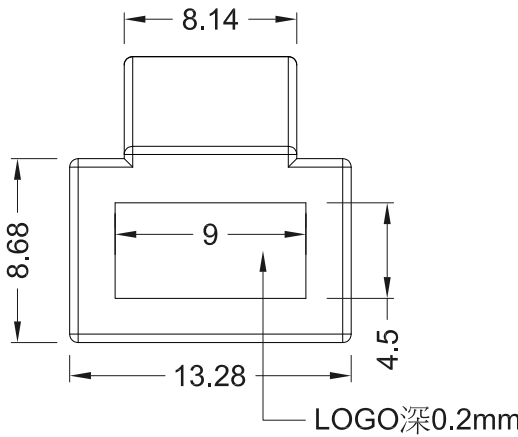


1 ROHS Compliant

7	DATE	2012/07/20
	Revision	A



TOLERANCE	
.XXXX	---
.XXX	0.10
.XX	0.25
.X	0.38

MATERIAL			
HOUSING	PE		

P/NO. NCCB-PP

ITEM. Boot	CO. SY	S/N. NCCB-PP
DR. Wakka 2012/07/20	APPD.	CHKD.

NEX1 NEX1 Technologies Co., Ltd
 TEL: (02) 2518-1300
 FAX: (02) 2501-4209

FILE. NCCB-PP	
SCALE /	
UNIT mm	SIZE A4

REV.	DESCRIPTION	ENG.	APPROVAL
1	2	3	4

5 6 7