

1 ROHS Compliant

7 DATE	2012/07/20
Revision	A

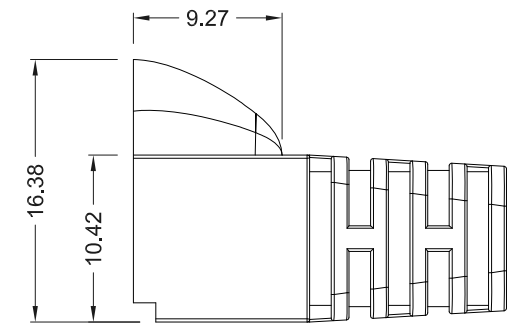
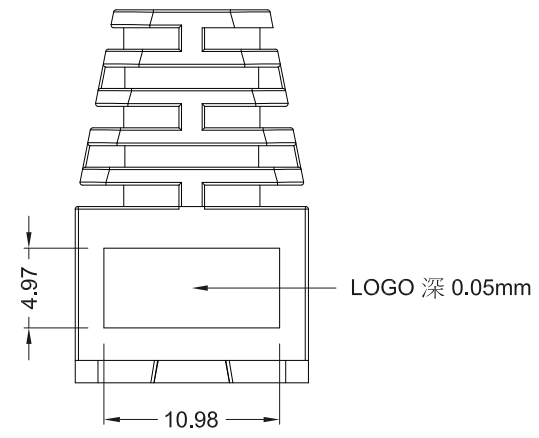
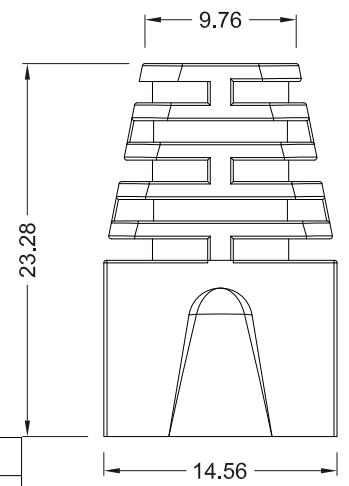
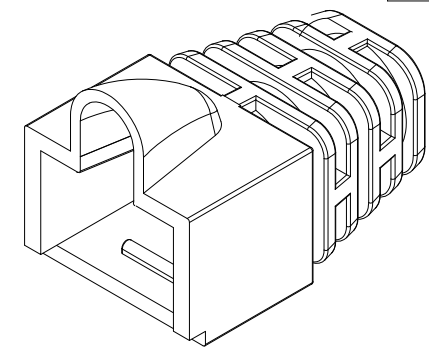
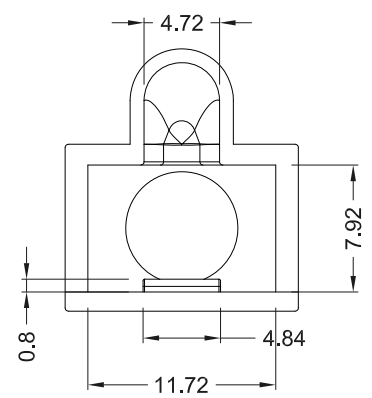
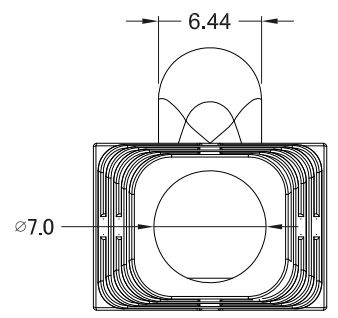
A

B

C

D

E



TOLERANCE	
.XXXX	---
.XXX	0.10
.XX	0.25
.X	0.38

MATERIAL	
HOUSING	Fire-resistance PVC
CONTACT	PHOSPHOR BRONZE FINE GOLD PLATED OVER NICKEL
COLOR	<input type="checkbox"/> WHITE <input type="checkbox"/> BLACK <input type="checkbox"/> GREEN <input type="checkbox"/> BLUE <input type="checkbox"/> YELLOW <input type="checkbox"/> RED <input type="checkbox"/> ORANGE <input type="checkbox"/> IVORY <input type="checkbox"/> OTHER _____

REV.	DESCRIPTION	ENG.	APPROVAL
1			

P/NO. NCCB-C6

ITEM. Boot	CO. SY	S/N. NCCB-C6
DR. Wakka 2012/07/20	APPD.	CHKD.

<p>NEX1 Technologies Co., Ltd TEL: (02) 2518-1300 FAX: (02) 2501-4209</p>	FILE. NCCB-C6
	SCALE /
	UNIT mm SIZE A4

A

B

C

D

E