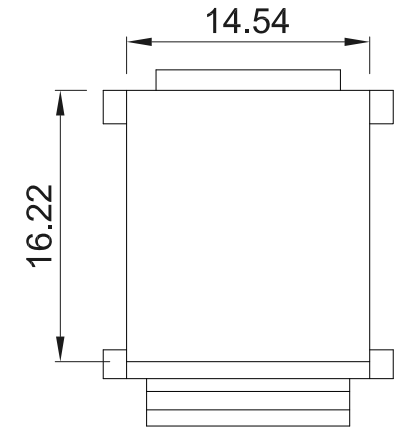
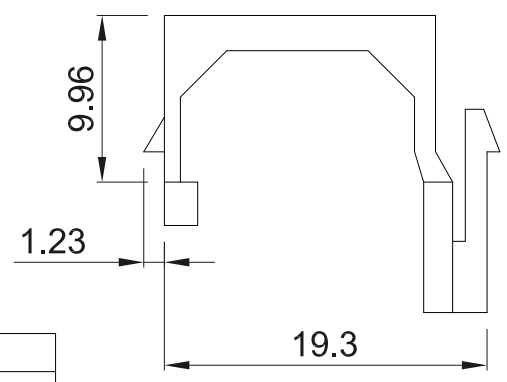
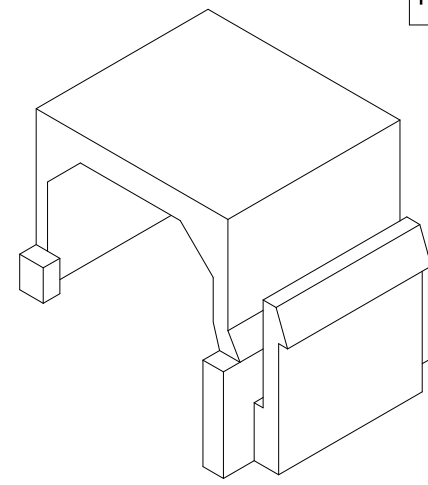
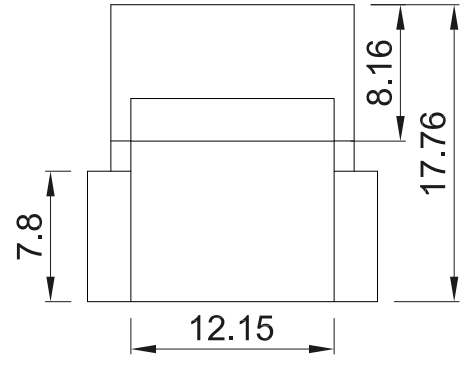
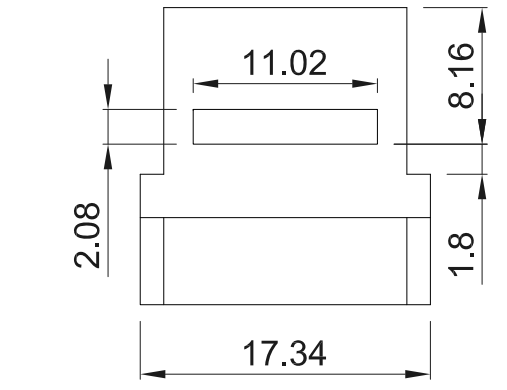


1 ROHS Compliant

7 DATE	2012/08/15
Revision	A



TOLERANCE	
.XXXX	----
.XXX	0.10
.XX	0.25
.X	0.38

MATERIAL

UL-94-V-0 Fire-Resistance ABS

P/NO. NWP-BI

ITEM. Snap-in Module	CO. SY	S/N. NWP-BI
----------------------	--------	-------------

DR. Wakka 2012/08/15	APPD.	CHKD.
----------------------	-------	-------

<p>NEX1 Technologies Co., Ltd TEL: (02) 2518-1300 FAX: (02) 2501-4209</p>	FILE. NWP-BI
	SCALE /
	UNIT mm SIZE A4

REV.	DESCRIPTION	ENG.	APPROVAL
------	-------------	------	----------

1 2 3 4

5 6 7

A
B
C
D
E

A
B
C
D
E