

1 ROHS Compliant

7	DATE	2012/08/15
	Revision	A

A

B

C

D

E

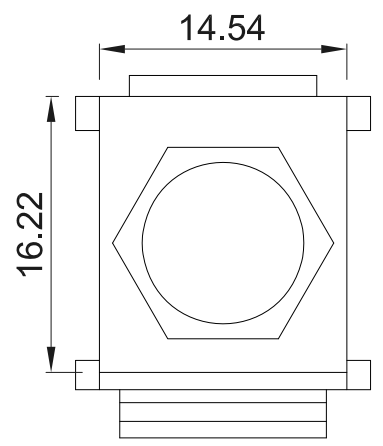
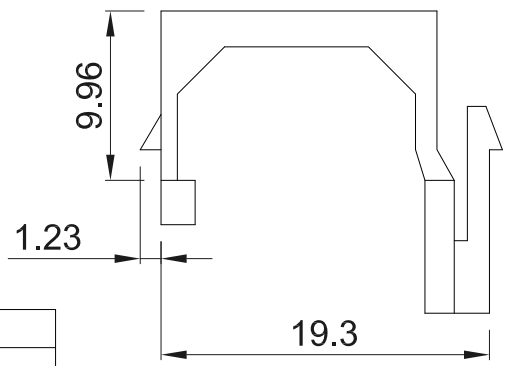
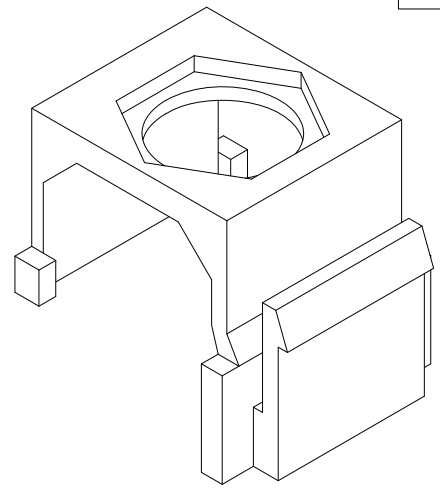
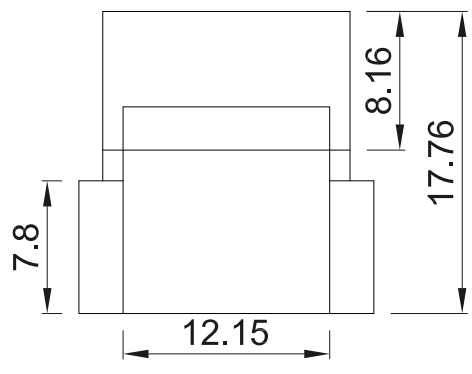
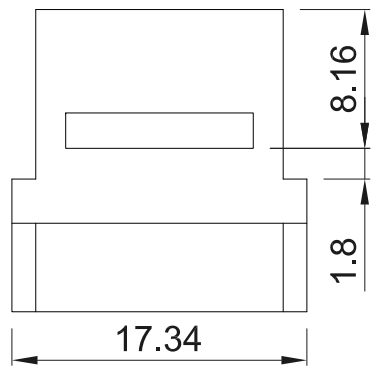
A

B

C

D

E



TOLERANCE	
.XXXX	----
.XXX	0.10
.XX	0.25
.X	0.38

MATERIAL			
UL-94-V-0 Fire-Resistance ABS			

P/NO.		NTVFA	
-------	--	-------	--

ITEM. Snap-in Module	CO. SY	S/N. NTVFA
DR. Wakka 2012/08/15	APPD.	CHKD.

<p>NEX1 Technologies Co., Ltd TEL: (02) 2518-1300 FAX: (02) 2501-4209</p>	FILE. NTVFA
	SCALE /
	UNIT mm SIZE A4

REV.	DESCRIPTION	ENG.	APPROVAL
1	2	3	4

5	6	7
---	---	---