

1 ROHS Compliant

7	DATE	2012/08/15
	Revision	A

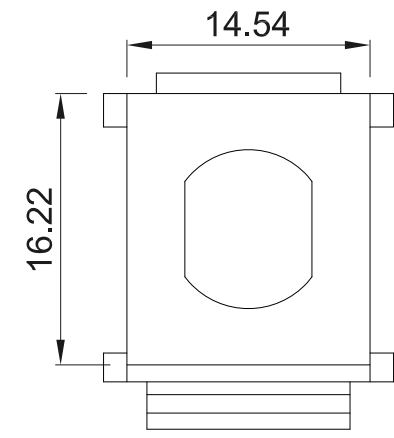
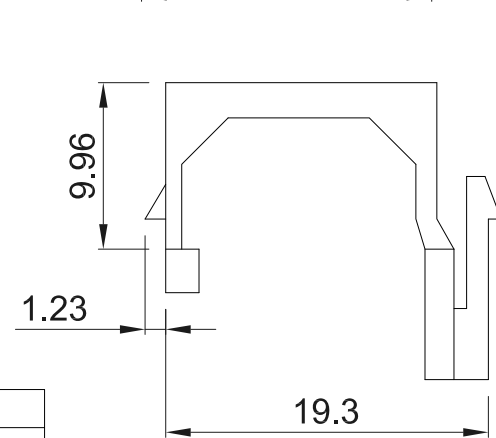
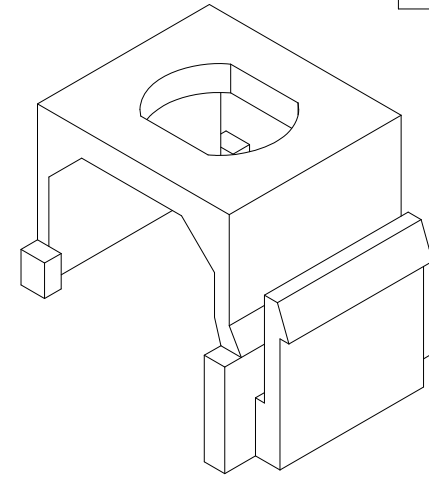
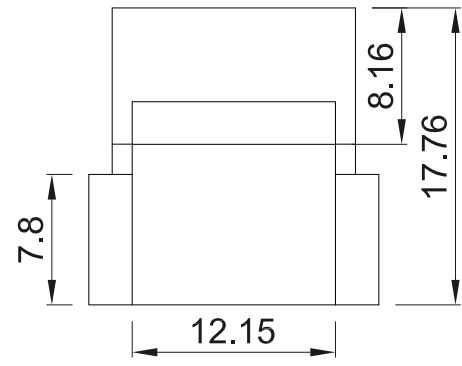
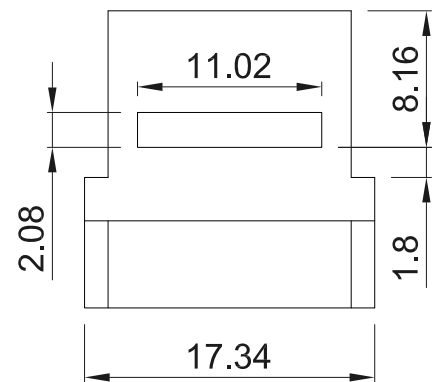
A

B

C

D

E



TOLERANCE	
.XXXX	----
.XXX	0.10
.XX	0.25
.X	0.38

MATERIAL

UL-94-V-0 Fire-Resistance ABS

REV.	DESCRIPTION	ENG.	APPROVAL
------	-------------	------	----------

1 2 3 4

P/NO. NSTA

ITEM. Snap-in Module CO. SY S/N. NSTA

DR. Wakka 2012/08/15 APPD. CHKD.

<p>NEX1 Technologies Co., Ltd TEL: (02) 2518-1300 FAX: (02) 2501-4209</p>	FILE. NSTA
	SCALE /
	UNIT mm SIZE A4

5 6 7