

1 ROHS Compliant

7 DATE	2012/08/15
Revision	A

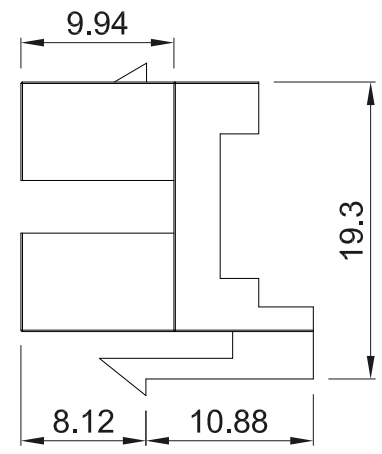
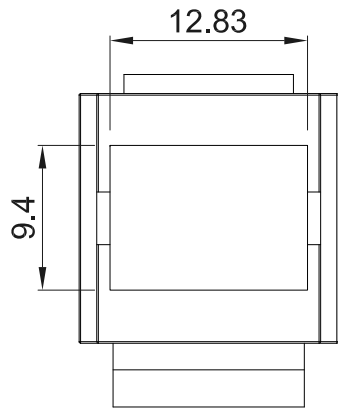
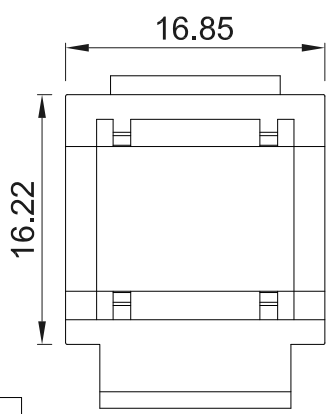
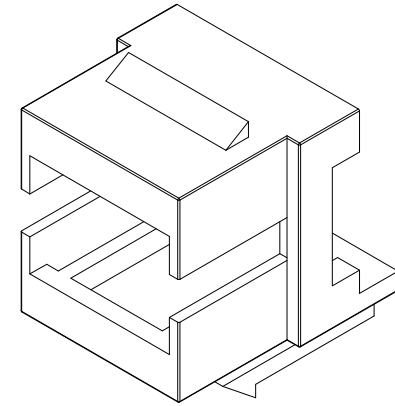
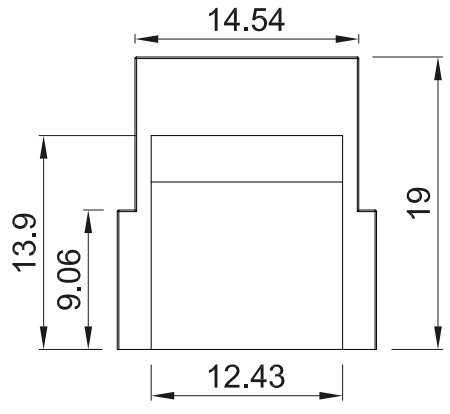
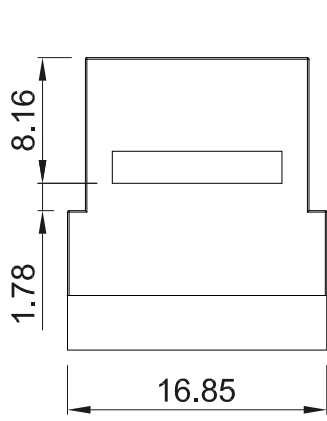
A

B

C

D

E



TOLERANCE	
.XXXX	---
.XXX	0.10
.XX	0.25
.X	0.38

MATERIAL			
UL-94-V-0 Fire-Resistance ABS			

**P/NO. NSCA**

ITEM. Snap-in Module	CO. SY	S/N. NSCA
DR. Wakka 2012/08/15	APPD.	CHKD.

<p>NEX1 Technologies Co., Ltd TEL: (02) 2518-1300 FAX: (02) 2501-4209</p>	FILE. NSCA
	SCALE /
	UNIT mm SIZE A4

REV.	DESCRIPTION	ENG.	APPROVAL
1	2	3	4

5 6 7