

1 ROHS Compliant

|   |          |            |
|---|----------|------------|
| 7 | DATE     | 2012/08/15 |
|   | Revision | A          |

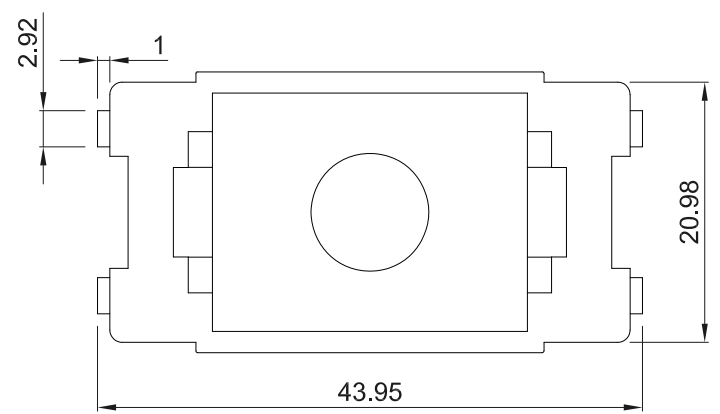
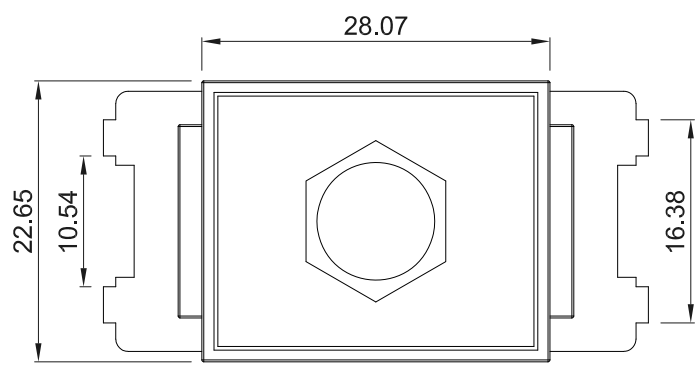
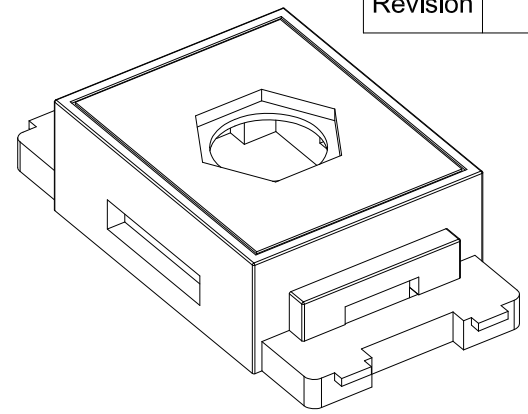
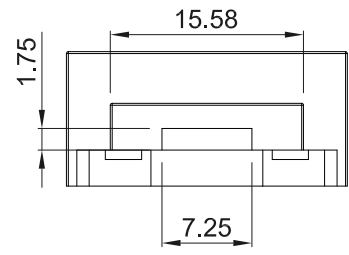
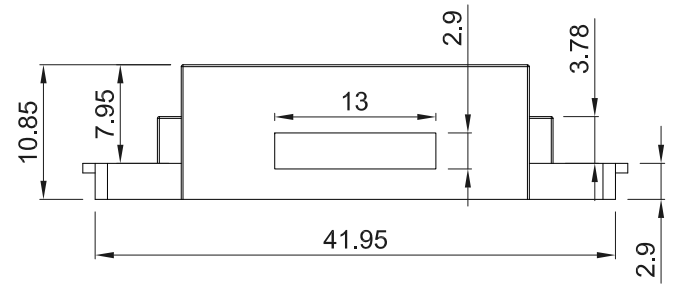
A

B

C

D

E



| TOLERANCE |      |
|-----------|------|
| .XXXX     | ---  |
| .XXX      | 0.10 |
| .XX       | 0.25 |
| .X        | 0.38 |

MATERIAL

UL-94-V-0 Fire-Resistance ABS

Snap-in Module Type : TV

Standard Color : White

| REV. | DESCRIPTION | ENG. | APPROVAL |
|------|-------------|------|----------|
| 1    | 2           | 3    | 4        |

P/NO. NNTWPA-TV

ITEM. Snap-in Module CO. SY S/N. NNTWPA-TV

DR. Wakka 2012/08/15 APPD. CHKD.

|   |                 |
|---|-----------------|
| <p>NEX1 Technologies Co., Ltd<br/>TEL: (02) 2518-1300<br/>FAX: (02) 2501-4209</p> | FILE. NNTWPA-TV |
|   | SCALE /         |
|   | UNIT mm SIZE A4 |

A

B

C

D

E