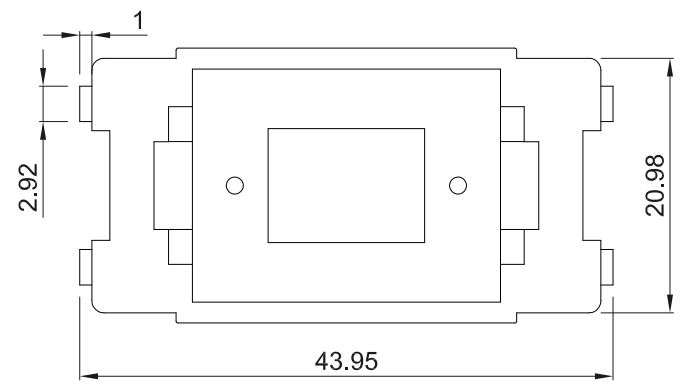
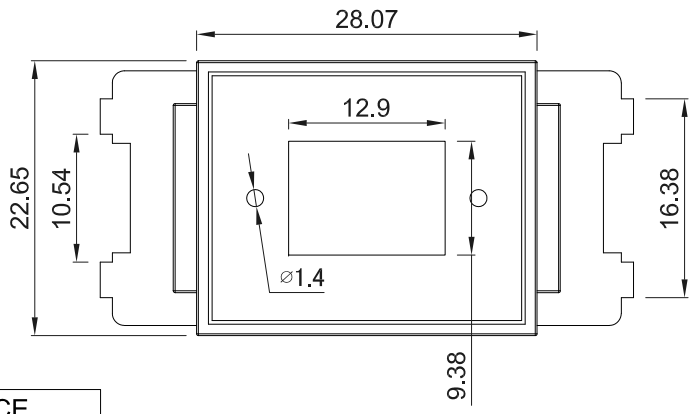
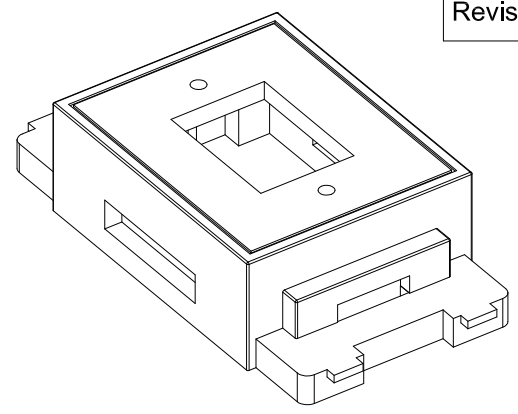
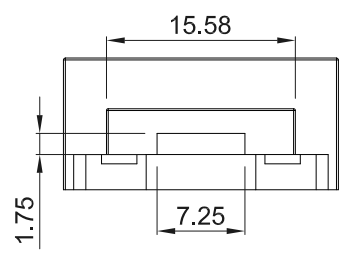
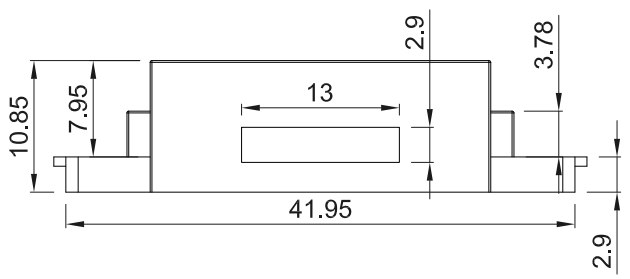


1 ROHS Compliant

7	DATE	2012/08/14
	Revision	A



TOLERANCE	
.XXXX	---
.XXX	0.10
.XX	0.25
.X	0.38

MATERIAL			
UL-94-V-0 Fire-Resistance ABS			
Snap-in Module Type : SC			
Standard Color : White			

P/NO. NNTWPA-SC	
ITEM. Snap-in Module	CO. SY
DR. Wakka 2012/08/14	APPD.
S/N. NNTWPA-SC	
CHKD.	
FILE. NNTWPA-SC	
NEX1 Technologies Co., Ltd TEL: (02) 2518-1300 FAX: (02) 2501-4209	
SCALE /	
UNIT mm	SIZE A4

REV.	DESCRIPTION	ENG.	APPROVAL
1	2	3	4