

1 ROHS Compliant

7 DATE	2012/08/15
Revision	A

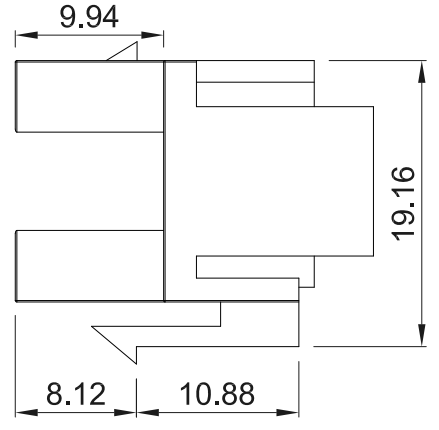
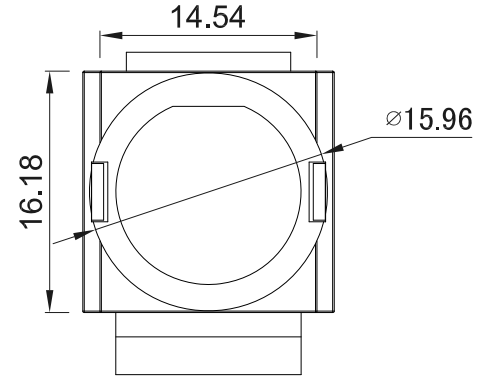
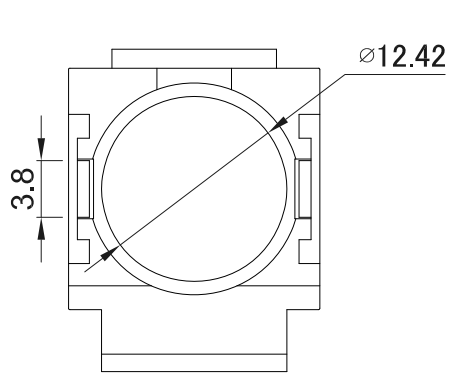
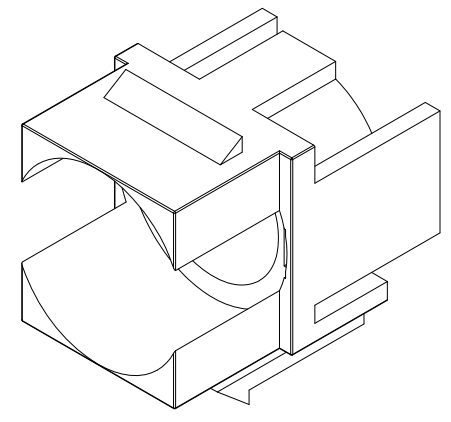
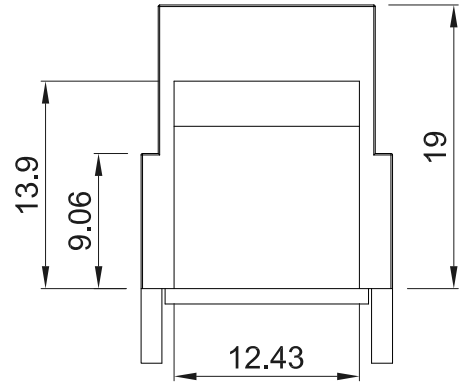
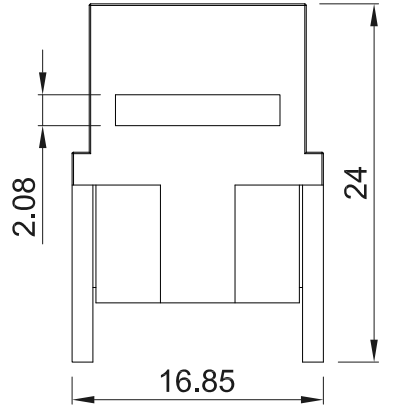
A

B

C

D

E



TOLERANCE	
.XXXX	---
.XXX	0.10
.XX	0.25
.X	0.38

MATERIAL

UL-94-V-0 Fire-Resistance ABS

REV.	DESCRIPTION	ENG.	APPROVAL
------	-------------	------	----------

P/NO. NBNCA

ITEM. Snap-in Module CO. SY S/N. NBNCA

DR. Wakka 2012/08/15 APPD. CHKD.

<p>NEX1 Technologies Co., Ltd TEL: (02) 2518-1300 FAX: (02) 2501-4209</p>	FILE. NBNCA
	SCALE /
	UNIT mm SIZE A4